

AU - D3600



FEATURES

- 1/3" SONY Super HAD CCD
- Super High Resolution : 600 TV Lines
- Built-in DC Iris Vari-focal Lens (f=4-9mm)
- Mini. Illumination : 0.1Lux
- Extra Video Out Port for Easy Installation
- 3-Axis Movement for Free Lens Rotation
- Dome Size 100mm
- 12VDC
- Audio Function (Optional)

OPEN VIEW

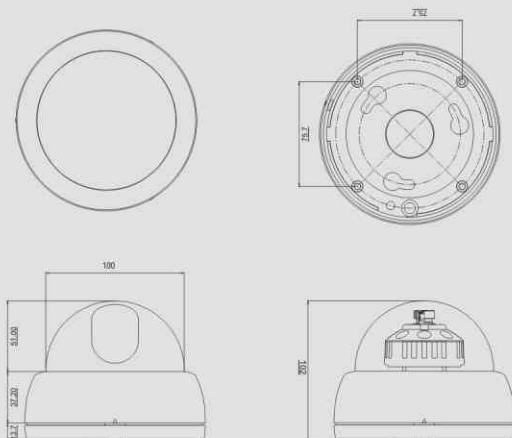


AU - D3600

OPTIONAL ACCESSORY

- Wall Mounting Bracket
- Power Supply

DIMENSIONS



SPECIFICATIONS

Model	AU-D3600
Signal System	PAL
Scanning System	2:1 Interface
Scanning Frequency (H)	15.625 KHz
Scanning Frequency (V)	50 Hz
Image Sensor	1/3" SONY Super HAD CCD
Sync. System	Internal
Total Pixel No.	795(H) x 596(V) 470K
Effective Pixel No.	752(H) x 582(V) 440K
Horizontal Resolution	600 TV Lines
Video Output Level	1.0V p-p (75W. Composite)
S/N Ratio	More than 48dB (AGC Off)
Lens	DC Iris Vari-focal Lens (f=4-9mm, F1.2)
Day & Night Type	NA
Min. Illumination	0.1Lux (color)
DIP SW Control(On/Off)	AGC, BLC, Flickerless
White Balance	Auto
Electronic Shutter Speed	1/50sec
Supplied Voltage	12VDC(10V-15V)
Power Consumption	Max 5W
Camera Construction	3-Axis Movement for Free Lens Rotation
Dimensions	ø100 x 102(H) mm
Weight	Approx 366g

Unit No. 422 / 423, Building No. 9, Jogani Industrial Estate, Off. V. N. Purav Marg, Chunabhatti (E), Mumbai-42
 Ph: 022-24055001 / 2 Telefax: 022- 24055006 (M) 09833545257
 Email: piyush@conceptequipments.com Web: www.conceptequipments.com